

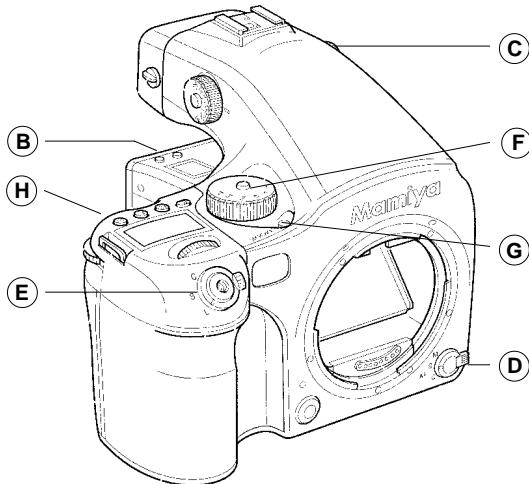
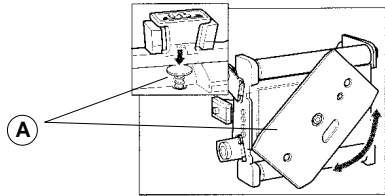
Mamiya 645AF

Quick Guide



To get the most from your Mamiya 645AF,
please refer to the instruction book for complete operating details.

Basic Functions



A Film Handling

Rotate pressure plate for 120 or 220 film.

The roll-film holder will automatically detect film frame No. 1 from any position up to and including the Start Mark.

B Set ISO on Film Magazine

1. Hold "Up" Arrow Button
2. Press Up or Down Arrow
3. ISO stops blinking

"ISO" blinks

Change ISO to desired setting

ISO is set

C Set Metering Mode

Using the Exposure Metering Mode Selector Lever, choose "A" for Average, "S" for Spot, or "A-S AUTO" for Average/Spot Auto Switching.

D Set Auto Focus Function

Using the Focus Mode Selector Lever, choose "S" for Single Focus, "C" for Continuous Focus, or "M" for Manual.

E Set Shutter Release Mode

Using the Shutter Release Mode Selector, choose "S" to advance film one frame at a time (Single-Frame Mode), choose "C" to take photographs continuously as long as the shutter release button is pressed. (Continuous Mode)

F Set Exposure Modes

Feature

Program Mode AE
Aperture Priority AE
Shutter Priority AE
Manual Mode
1/125 sec. Flash
Time Exposure

Exposure Mode Dial

P
Av
Tv
M
X
T

Front Dial

Set Program (PH - P - PL)
Adjust Aperture
Adjust Shutter Speed
Adjust Shutter Speed
Adjust Aperture
Adjust Aperture
Adjust Aperture

Rear Dial

Set Program (PH - P - PL)
Adjust Aperture
Adjust Shutter Speed
Adjust Aperture
Adjust Aperture
Adjust Aperture

G Other Shooting Modes

Feature

Mode Button
Mode Button
Mode Button

Function

Auto Bracketing
Multiple Exposure
Self Timer

Front Dial

Select Bracket (1/3 -1 stops)
Set add'l exposures (1 - 5)
Set timer (3 - 60 seconds)

Rear Dial

Select Bracket (1/3 -1 stops)
Set add'l exposures (1 - 5)
Set timer (3 - 60 seconds)

Advanced Functions

H Superimposing Data

<u>Feature</u>	<u>Function</u>	<u>Action</u>	<u>Effect</u>
Set DAY	Day/Date/Time	<ol style="list-style-type: none"> 1. Hold F2 button 2. Press F2 again 3. Turn front dial 4. Turn rear dial 5. Hold SET button 	"Set 1" appears DAY / YEAR APPEAR Select Month, Date, Year, Hr.,Min. Change Month, Date, Year, Hr., Min. Saves Adjustments
Set DATA	Index Number from 000 - 999	<ol style="list-style-type: none"> 1. Hold F2 button 2. Turn front or rear dial 3. Press F2 again 4. Turn front dial 	"Set 1" appears Select "Set 2" Index number appears Select one of three digits to
adjust		<ol style="list-style-type: none"> 5. Turn rear dial 6. Hold SET button 	Change digit from 0 - 9 Saves Adjustments
Data Imprint Select type On or OFF	Data / Exposure / Index Number Day/Date OFF	<ol style="list-style-type: none"> 1. Hold F1 button 2. Press F1 again 3. Turn front or rear dial 4. Hold SET button 	"Func" appears "OF" or "DATA" or "DAY" appears Select "OF" or "DATA" or "DAY" DATA, DAY or OF is now set

H

To Lock the Adjustment Dials

<u>Feature</u>	<u>Function</u>	<u>Action</u>	<u>Effect</u>
Dial Lock (dLoc)	Av - aperture adjustment locked	<ol style="list-style-type: none"> 1. Hold F1 button 2. Turn front or rear dial 	"Func" appears turn until "dLoc" appears
Dial Lock (dLoc)	Tv - shutter speed adjustment locked	<ol style="list-style-type: none"> 3. Press F1 again 4. Turn front or rear dial 	"OF" or "ON" appears Select "OF" or "ON"
Dial Lock (dLoc)	M - both shutter and aperture locked	<ol style="list-style-type: none"> 5. Hold SET button 	Lock OF or ON is now set

H

Changing Viewfinder Display=

<u>Feature</u>	<u>Function</u>	<u>Action</u>	<u>Effect</u>
Viewfinder Display On or Off (Finder Display)	Works in "M" Manual Mode only shuts off exposure information infinder, focus confirmation only is displayed.	<ol style="list-style-type: none"> 1. Hold F1 button 2. Turn front or rear dial 3. Press F1 again 4. Turn front or rear dial 5. Hold SET button 	"Func" appears turn until "Fd" appears "OF" or "ON" appears Select "OF" or "ON" Lock OF or ON is now set